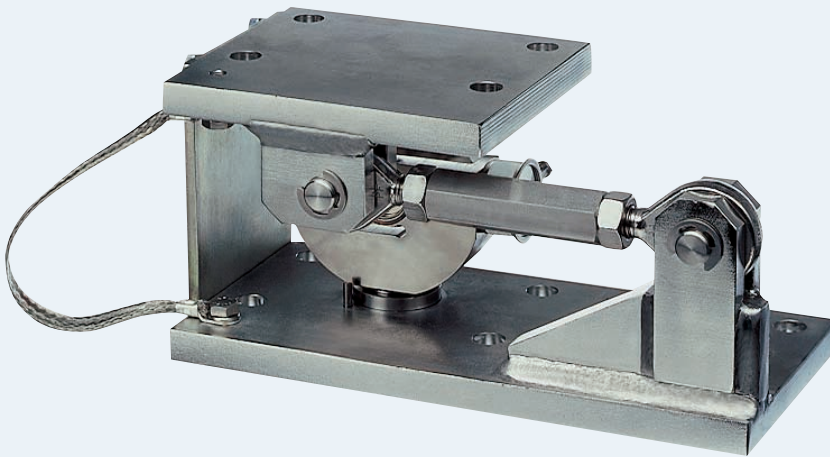


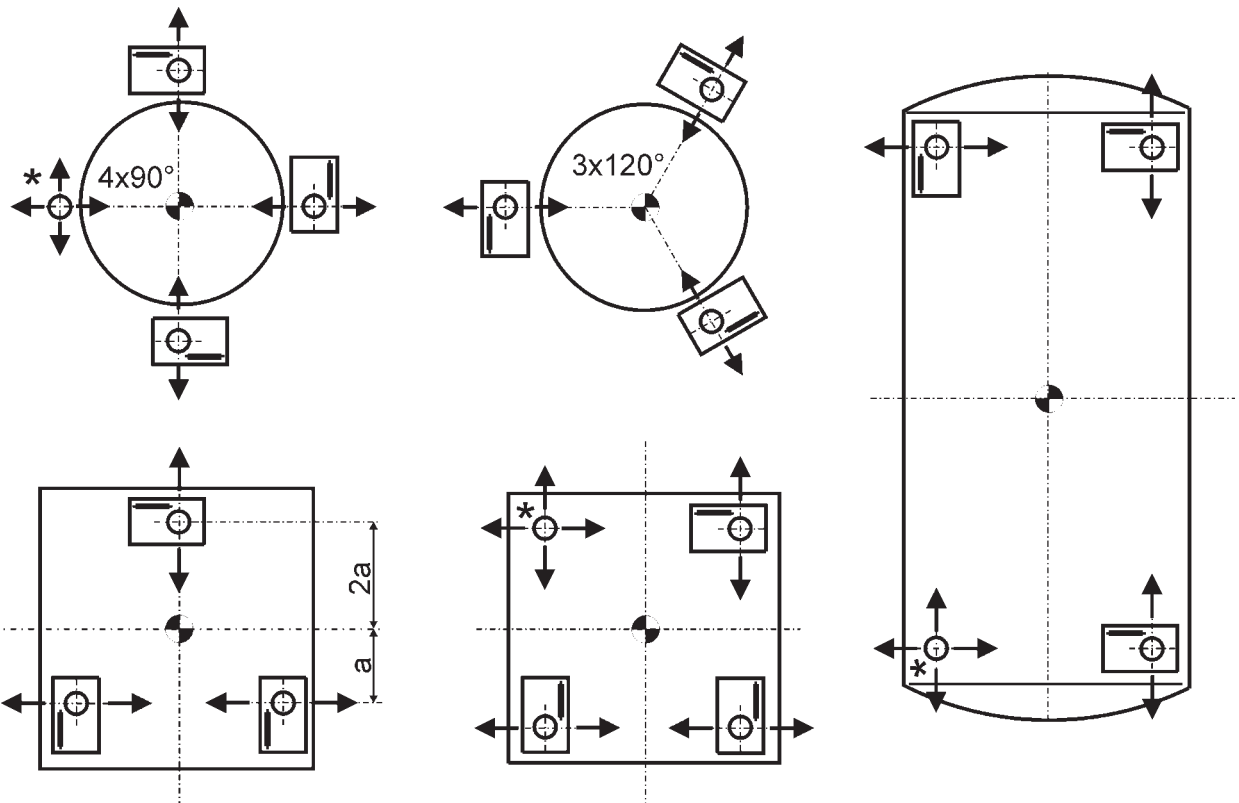
Mounting kits PR 6041, PR 6043 for load cell PR 6241

global weighing technologies



PR 6041, PR 6043

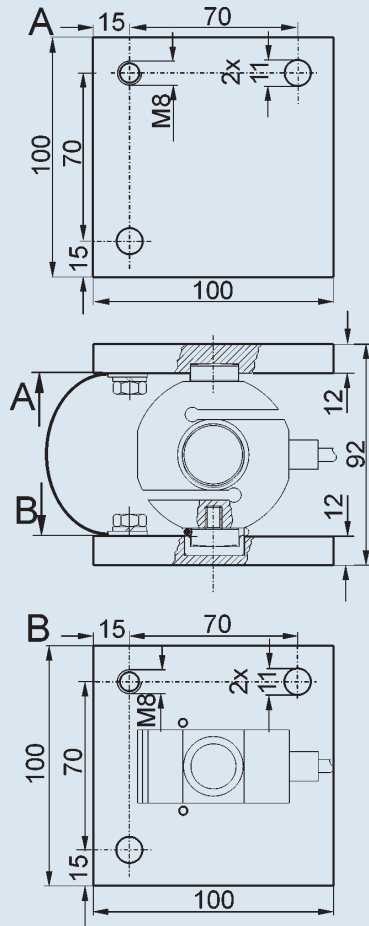
- Simple and fast installation because dummies are included in the supply
- Proven mounting kits for vessels and platforms
- Best weighing performance since mounting kits and load cells form a complete weighing unit
- Prepared for the installation of a lift-off-protection
- Full stainless steel version available
- Completely maintenance free, incl. constrainer
- Compact design



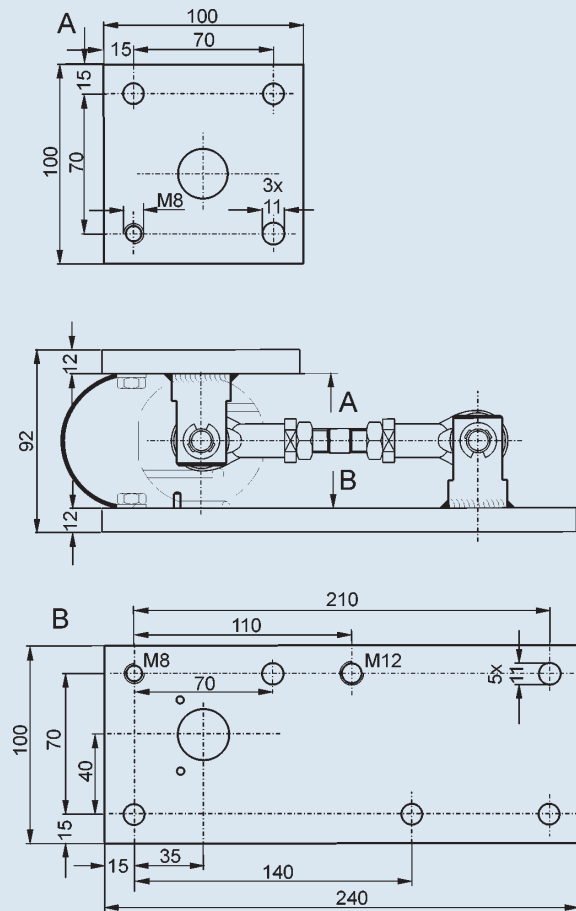
*do not constrain this point



Mounting plate kit and MiniFLEXLOCK for PR 6241 (100 kg...2 t)



PR 6041/30N & S



MiniFLEXLOCK PR 6043/30N & S

PR 6041/30

Technical data

Mounting with bolts M10

Version

- steel, zinc plated, yellow chromated
- stainless steel 1.4301 acc. to DIN 17440

MiniFLEXLOCK PR 6043/30

Technical data

mounting with bolts M10

Max. continuous horizontal force for the constrainer 6 kN

Destructive force of the constrainer >20 kN

Version

- steel, zinc plated, yellow chromated
- stainless steel 1.4301 acc. to DIN 17440 (all parts including the swivel bearings are made from stainless steel)

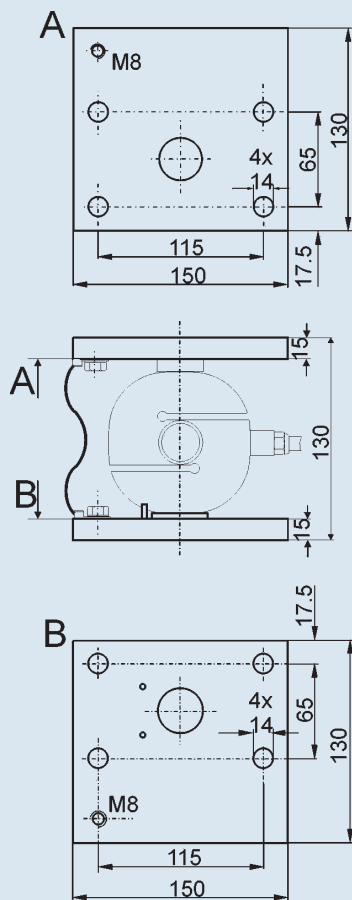
Accessories

(supplied with the mounting kits)

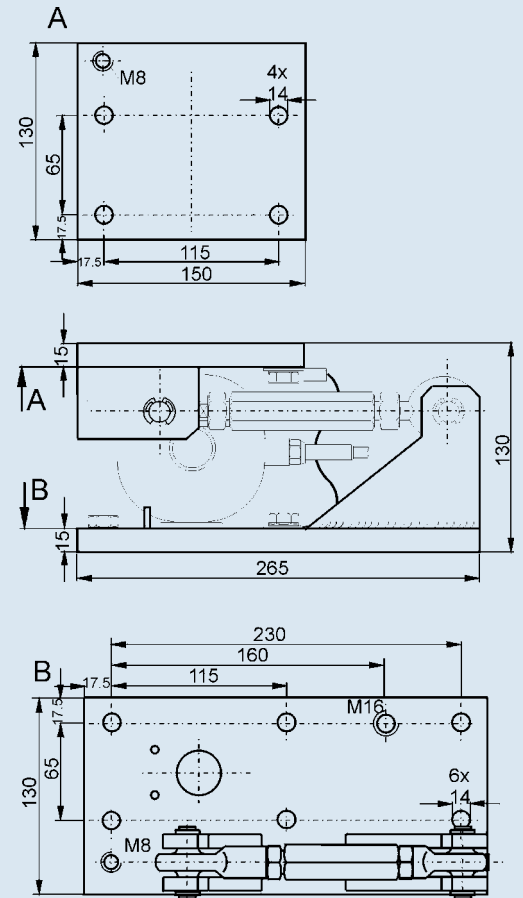
- bolts and washer to fix the earthing cable
- dummy with a permissible load of 2t
- Instruction manual
- Drilling template

Type	Description	Order code	Packing cm	Weight gross/net
PR 6041/30N	Mounting plate kit	9405 360 41301	14 x 14 x 13	2.8 kg/2.5 kg
PR 6041/30S	Mounting plate kit, stainless steel	9405 360 41302	14 x 14 x 13	2.8 kg/2.5 kg
PR 6043/30N	MiniFLEXLOCK, 6kN	9405 360 43301	26 x 13 x 13	4.8 kg/4.3 kg
PR 6043/30S	MiniFLEXLOCK, 6kN, stainless steel	9405 360 43302	26 x 13 x 13	4.8 kg/4.3 kg
PR 6043/31S	Load button set, stainless steel	9405 360 43312	-----	0.2 kg/0.15 kg

Mounting plate kit and MiniFLEXLOCK for PR 6241 (3 t, 5 t)



PR 6041/40N & S



MiniFLEXLOCK PR 6043/40N & S

PR 6041/40

Technical data

Mounting with bolts M12

Version

- steel, zinc plated, yellow chromated
- stainless steel 1.4301 acc. to DIN 17440

MiniFLEXLOCK PR 6043/40

Technical data

Mounting with bolts M12

Max. continuous force for the constrainer 18 kN

Destructive force of the constrainer >50 kN

Version

- steel, zinc plated, yellow chromated
- stainless steel 1.4301 acc. to DIN 17440 (all parts including the swivel bearings are made of stainless steel)

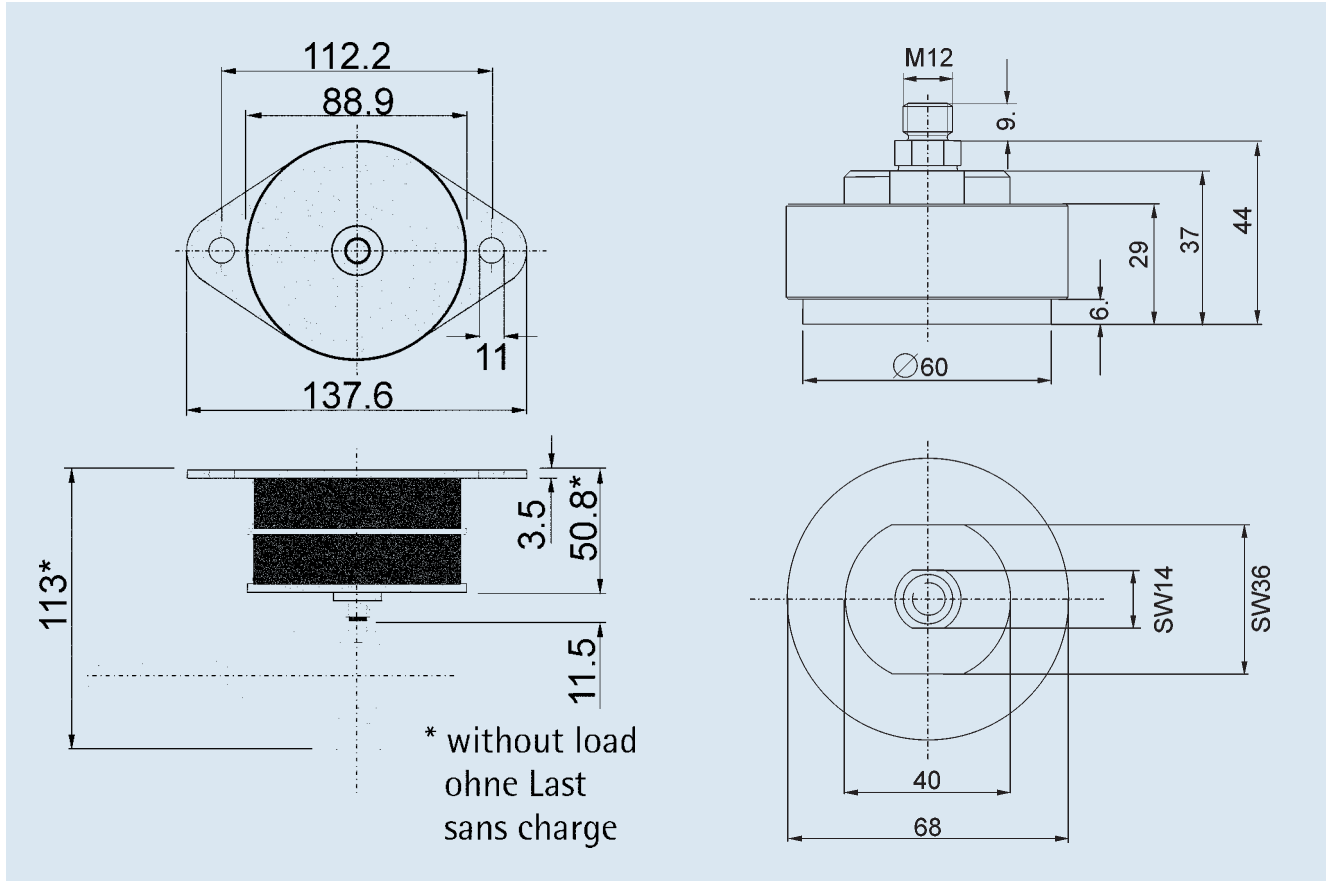
Accessories

- (supplied with the mounting kit)
- bolts and washers to fix the earthing cable
 - dummy with a permissible load of 5 t
 - Instruction manual
 - drilling template

Type	Description	Order code	Packing cm	Weight gross/net
PR 6041/40N	Mounting plate kit	9405 360 41401	18 x 15 x 18	6.9 kg/6.5 kg
PR 6041/40S	Mounting plate kit, stainless steel	9405 360 41402	18 x 15 x 18	6.9 kg/6.5 kg
PR 6043/40N	MiniFLEXLOCK, 18 kN	9405 360 43401	30 x 16 x 17	10.6 kg/10.2 kg
PR 6043/40	MiniFLEXLOCK, 18 kN, stainless steel	9405 360 43402	30 x 16 x 17	10.6 kg/10.2 kg

Rubber mounting kit PR 6041/03N

Platform foot PR 6041/51S



Rubber Mounting Kit PR 6041/03

Platform foot PR 6041/51S

RUBBER MOUNTING KIT PR 6041/03N

suitable for load cells PR 6241 with capacities between 100 kg and 500 kg

max. vertical compression load

750 kg

max. vertical tension load

100 kg

permissible horizontal force

2.2 kN

horizontal displacement

1 mm per 150 N

Operating temperature

-25° C...+60° C (-14° F...+140° F)

Storage and transportation

-40° C...+80° C (-40° F...+176° F)

PLATFORM FOOT PR 6041/51S

suitable for load cells PR 6241 with capacities between 100 kg and 2 t

Operating temperature

-30° C...+80° C (-22° F...+176° F)

Accessories

(supplied with the mounting kits)

- instruction manual

Type	Description	Order code	Packing cm	Weight gross/net
PR 6041/03N	Rubber mounting kit (100 kg...500 kg)	9405 360 41031	15 x 9 x 6	0.82 kg/0.7 kg
PR 6041/51S	Platform foot, stainless steel (100 kg...2 t)	9405 360 41402	-----	0.75 kg/0.7 kg