



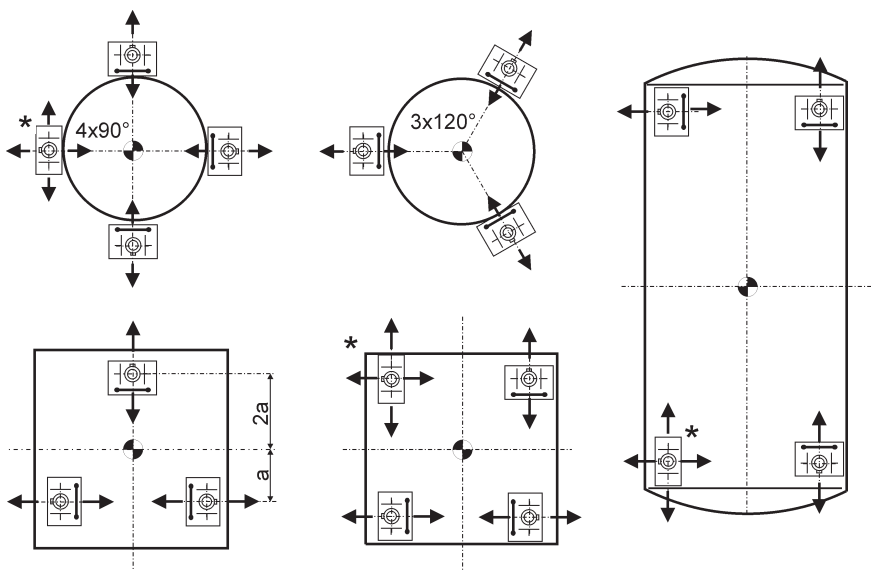
sartorius

PR 6001

Mounting kits for load cell PR 6201



- Easy and fast installation
- Mounting kit with dummy included
- Complete programme for all load cells PR 6201 with capacities between 500kg and 300t
- Full stainless steel version available
- Designed to withstand high lateral forces
- Maintenance free including the constrainer
- Patent pending DE 101 38 435A1
- Approval Certificate "Germanischer Lloyd" (No. 47 458-03HH)



* do not constrain this point

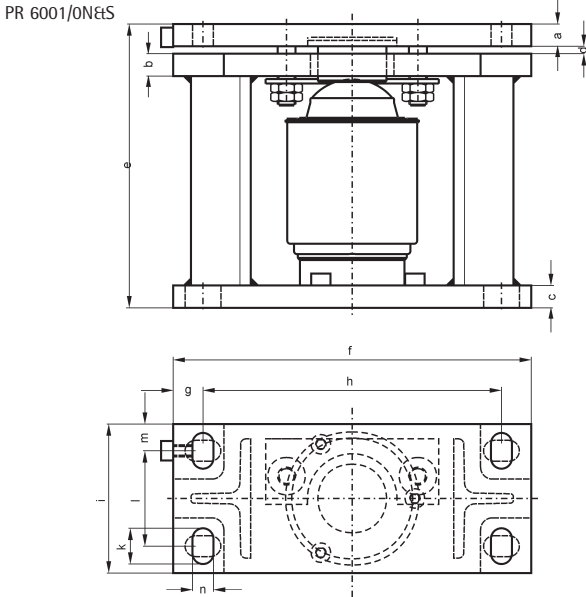
The PR 6001 mounting kit family is optimised for the PR 6201 load cell family to guarantee best weighing performance. It covers the capacity range from 500kg up to 300t.

The special design allows a horizontal displacement in the unconstrained direction of the load cell. All constrainters are 100% maintenance free.

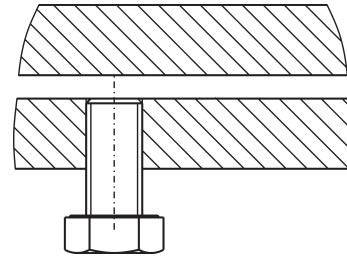
There are two different materials available: stainless steel (S/S-Version 1.4301 equivalent to AISI 304, B.S. 304S15) or mild steel zinc plated (N-Version St37-2 equivalent to B.S. 40B).

Its unique design includes a dummy functionality to install the vessel without load cell. The top load disc remains in place even when the load cell is not mounted. The design principle integrates a lift-off protection and built-in stops.

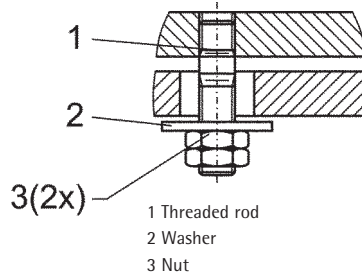
Universal vessel foot PR 6001/OX (500kg... 300t)



Jack-up (only PR 6001/00)
 $F_{max} = 1,2t$



Internal lift-off protection



Dimensions in mm

Dimensions in mm

	a	b	c	d	e	f	g	h	i	k	l	m	n
PR6001/00	15	15	15	5	190,5	240	20	200	100	24	64	18	14
PR6001/01	15	15	15	5	190,5	240	20	200	100	24	64	18	14
PR6001/02	30	20	30	8	290	300	23	254	130	32	84	23	18
PR6001/03	40	20	40	10	385	370	30	310	180	40	120	30	22

Technical data

	PR6001/00	PR6001/01	PR6001/02	PR6001/03
Rated capacity (load cell)	500kg... 10t	20t... 50t	100t	200t...300t
Jack-up device integrated	yes	no	no	no
S/S-Version available	yes	yes	no*	no*
Max. horizontal displacement of the load cell	± 5mm	± 5mm	± 6mm	± 8mm

Certified data (No. 47 458-03HH) by "Germanischer Lloyd"



	PR6001/00	PR6001/01	PR6001/02	PR6001/03
Destructive lateral force N_d^{**}	>20kN	>20kN	>28kN	>34kN
Permissible lift-off-protection force N_d^{**}	20kN	30kN	40kN	50kN
Permissible load without load cell N_d^{**}	25t	25t	38t	38t

*on request **according to DIN 18800

Accessories

(supplied with the mounting kits)

- Bolts and washers to install the flexible copper strap

- Allen key
- Instruction manual
- Drilling template

Material

S/S-Version: 1.4301

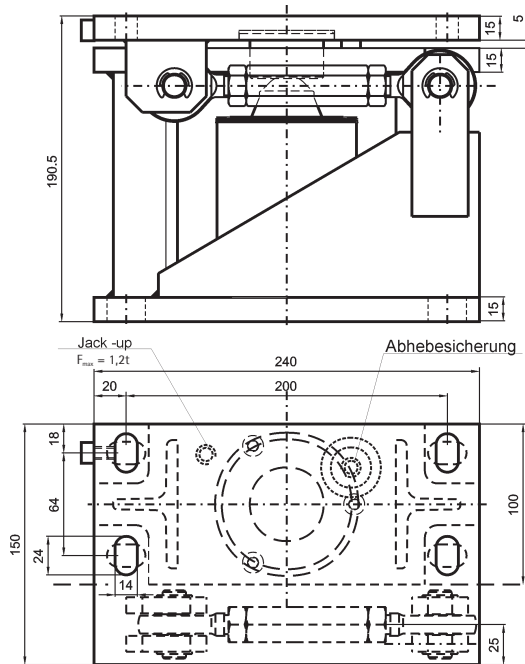
N-Version: St37-2, zinc plated and yellow chromated

Order information

Type	Description	Weight gross/net	Order number
PR6001/00N	Universal vessel foot (500kg... 10t)	10.4kg/10.1kg	9405 360 01001
PR6001/00S	Universal vessel foot, stainless steel (500kg... 10t)	11.2kg/10.9kg	9405 360 01002
PR6001/01N	Universal vessel foot (20t... 50t)	10.4kg/10.1kg	9405 360 01011
PR6001/01S	Universal vessel foot, stainless steel (20t... 50t)	11.2kg/10.9kg	9405 360 01012
PR6001/02N	Universal vessel foot (100t)	27.5kg/27.5kg	9405 360 01021
PR6001/03N	Universal vessel foot (200t... 300t)	60.0kg/60.0kg	9405 360 01031

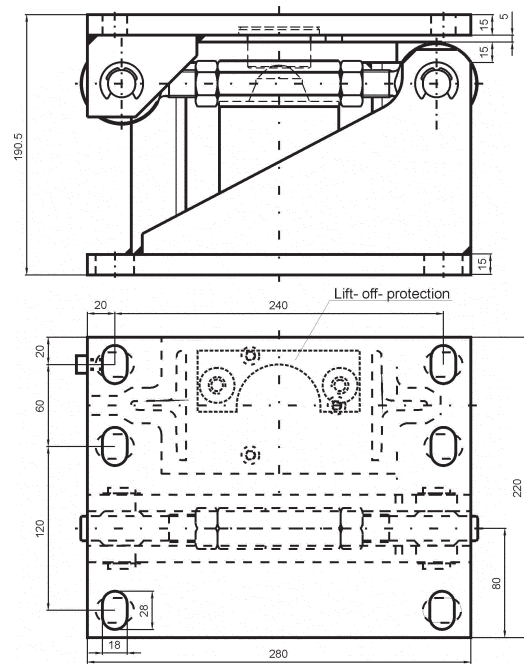
MaxiFLEXLOCK PR 6001/1X, PR 6001/2X (25kN, 50kN lateral force)

Dimensions PR 6001/1N&S (Configuration shown: PR 6001/10)



Dimensions in mm

PR 6001/2N&S (Configuration shown: PR 6001/21)



Dimensions in mm

Technical data

	PR6001/10	PR6001/11	PR6001/20	PR6001/21
Rated capacity (load cell)	500kg... 10t	20t... 50t	500kg... 10t	20t... 50t
Jack-up device integrated	yes	no	yes	no
S/S-Version available	yes	yes	yes	yes
Max. horizontal displacement of the load cell	± 5mm	± 5mm	± 5mm	± 5mm

Certified data (No. 47 458-03HH) by "Germanischer Lloyd"



	PR6001/10	PR6001/11	PR6001/20	PR6001/21
Permissible force for the constrainer	25kN	25kN	50kN	50kN
Destructive lateral force N_d^{**} (S/S-Version)	> 39kN	> 39kN	> 100kN	> 100kN
Destructive lateral force N_d^{**} (N-Version)	> 45kN	> 45kN	> 100kN	> 100kN
Permissible lift-off-protection force N_d^{**}	20kN	30kN	20kN	30kN
Permissible load without load cell N_d^{**}	25t	25t	25t	25t

*on request **according to DIN 18800

Accessories

(supplied with the mounting kits)

- Bolts and washers to install the flexible copper strap
- Allen key
- Instruction manual
- Drilling template

Material

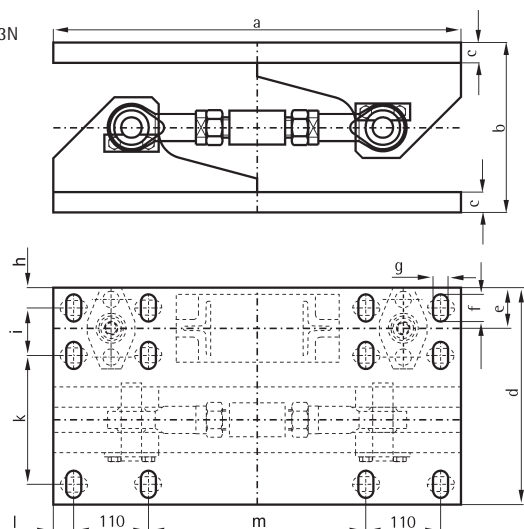
S/S-Version: 1.4301
N-Version: St37-2, zinc plated and yellow chromated

Order information

Type	Description	Weight gross/net	Order number
PR6001/10N	25kN-MaxiFLEXLOCK (500kg... 10t)	16.5kg/15.9kg	9405 360 01101
PR6001/10S	25kN-MaxiFLEXLOCK, stainless steel (500kg... 10t)	17.3kg/16.7kg	9405 360 01102
PR6001/11N	25kN-MaxiFLEXLOCK (20t... 50t)	16.5kg/15.9kg	9405 360 01111
PR6001/11S	25kN-MaxiFLEXLOCK, stainless steel (20t... 50t)	17.3kg/16.7kg	9405 360 01112
PR6001/20N	50kN-MaxiFLEXLOCK (500kg... 10t)	25.6kg/25.0kg	9405 360 01201
PR6001/20S	50kN-MaxiFLEXLOCK, stainless steel (500kg... 10t)	26.4kg/25.8kg	9405 360 01202
PR6001/21N	50kN-MaxiFLEXLOCK (20t... 50t)	25.6kg/25.0kg	9405 360 01211
PR6001/21S	50kN-MaxiFLEXLOCK, stainless steel (20t... 50t)	26.4kg/25.8kg	9405 360 01212

200kN - MaxiFLEXLOCK

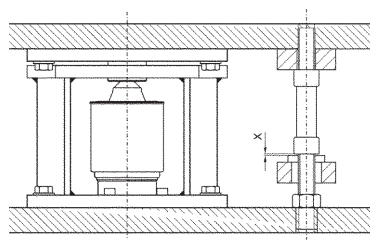
PR 6001/3N



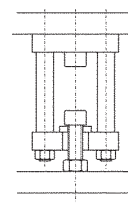
Dimensions in mm

	a	b	c	d	e	f	g	h	i	k	l	m
PR6001/30N	600	250,5	30	320	60	40	22	30	70	190	30	320
PR6001/31N	600	250,5	30	320	60	40	22	30	70	190	30	320
PR6001/32N	660	350	30	340	78	40	22	30	95	180	30	380
PR6001/33N	730	445	30	380	100	40	22	30	140	180	30	450

Mounting of the load cell and front view of the lift-off-protection



Lift-off-protection (side view)



Dimensions in mm

Technical data

	PR6001/30	PR6001/31	PR6001/32	PR6001/33
Rated capacity (load cell)	500kg... 10t	20t... 50t	100t	200t... 300t
S/S-Version available	no*	no*	no*	no*
Max. horizontal displacement of the load cell	± 5mm	± 5mm	± 6mm	± 8mm

Certified data (No. 47 458-03HH) by "Germanischer Lloyd"



	PR6001/30	PR6001/31	PR6001/32	PR6001/33
Permissible force for the constrainer	200kN	200kN	200kN	200kN
Destructive lateral force N_d^{**}	> 236kN	> 236kN	> 236kN	> 236kN
Permissible lift-off-protection force N_d^{**}	75kN	75kN	120kN	120kN
Permissible load without load cell N_d^{**}	25t	25t	38t	54t

*on request **according to DIN 18800

Accessories

(supplied with the mounting kits)

- Bolts and washers to install the flexible copper strap

- Allen key
- Instruction manual
- Drilling template

Material

S/S-Version: 1.4301

N-Version: St37-2, zinc plated and yellow chromated

Order information

Type	Description	Weight gross/net	Order number
PR6001/30N	200kN-MaxiFLEXLOCK (500kg... 10t)	143kg/138kg	9405 360 01301
PR6001/31N	200kN-MaxiFLEXLOCK (20t... 50t)	143kg/139kg	9405 360 01311
PR6001/32N	200kN-MaxiFLEXLOCK (100t)	198kg/193kg	9405 360 01321
PR6001/33N	200kN-MaxiFLEXLOCK (200t... 300t)	275kg/270kg	9405 360 01331

Specifications subject to change without notice.

Printed in Germany.

n/sart • C

9498 760 01001

Version 02.2005

Sartorius Hamburg GmbH
 Meiendorfer Straße 205
 22145 Hamburg, Germany
 Tel. +49.40.67960.303
 Fax +49.40.67960.383
 www.sartorius.com